

Finishing a COOL PACK Equipped Fireplace

Finishing Around the Fireplace

The following pages provide finishing options for your Montigo Fireplace with the COOL PACK or POWERED COOL PACK option.

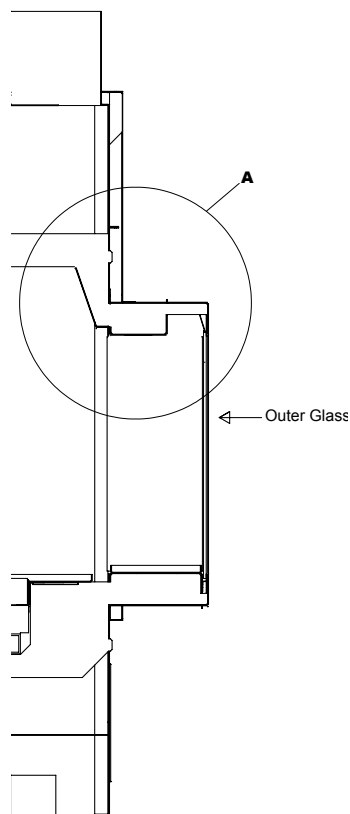


FIGURE 1: Typical Montigo Fireplace Cross Section. See following figures for enlarged finishing detail of "A"

Finishing With a NON-Combustible such as Stone or Tile

If the finish for the COOL PACK equipped fireplace will be of a non-combustible material such as stone or tile, please refer to Figure 2.

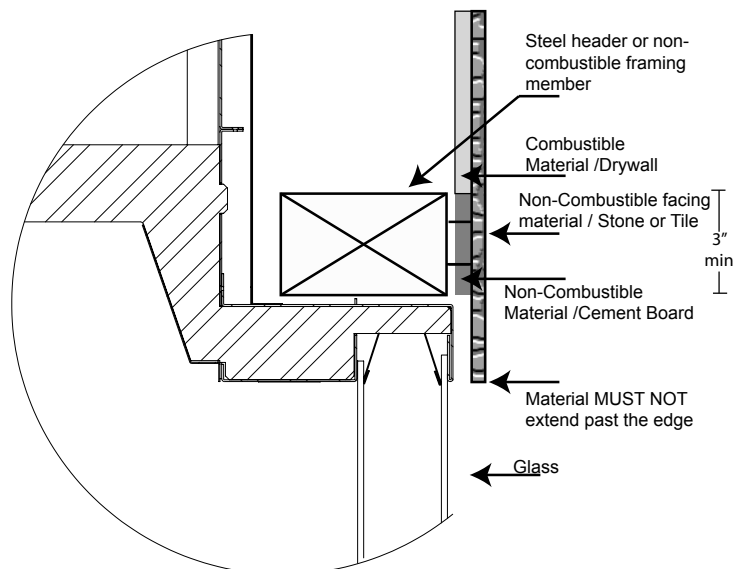


FIGURE 2: Detail of A - Finishing with Non-Combustible

Finishing With a Combustible such as Wood Laminate

If the finish for the COOL PACK equipped fireplace will be of a combustible material such as wood laminate, please refer to Figure 3.

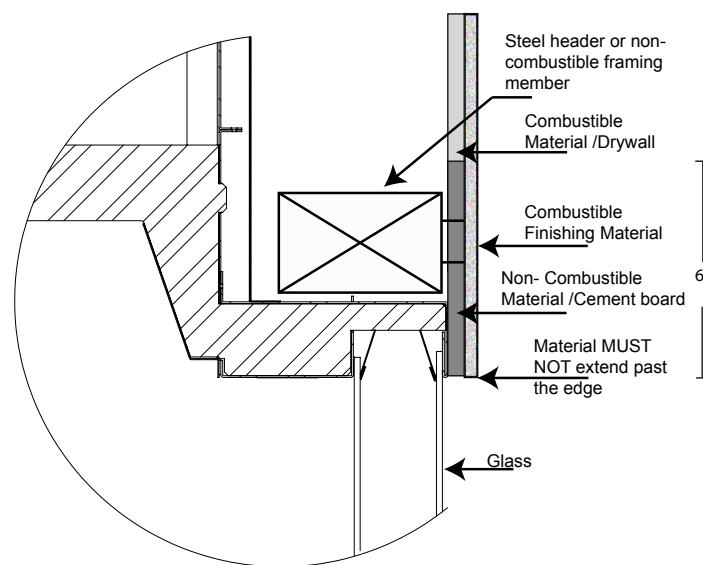


FIGURE 3: Detail of A - Finishing with Combustible

Finishing a COOL PACK Equipped Fireplace

Finishing With a Painted Finish

If the finish for the COOL PACK equipped fireplace will be of a painted finish, please refer to Figure 4.

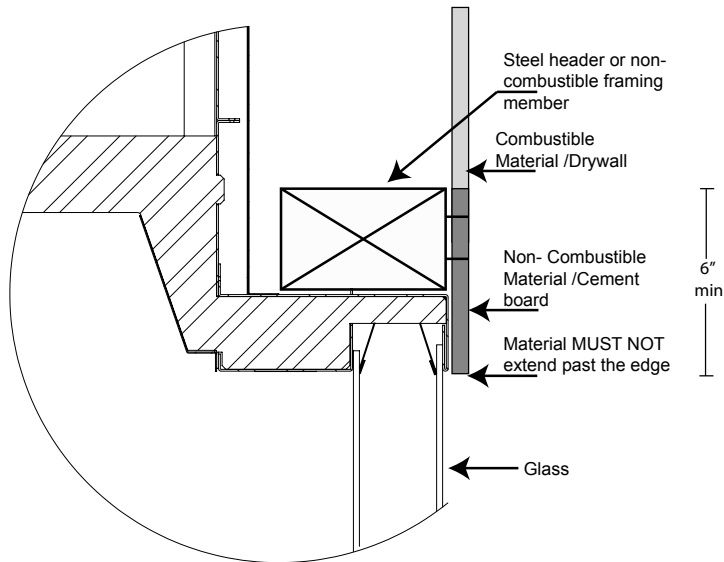


FIGURE 4: Detail of A - Finishing with painted finish

Mantels & Surrounds

NOTE: National Canadian Gas Association mantel test requirements are for fire hazard prevention to combustible materials.

New technology, to meet consumer and government demands for the wise use of energy, has prompted us to manufacture many models of fireplaces which are hot, fuel and energy efficient.

Please be aware; temperatures over the mantel will rise above normal room temperature and walls above fireplace may be hot to touch.

We recommend careful consideration be given to the effects of elevated mantel temperatures which may be in excess of product design, for example: candles, plastic or pictures. This can cause melting, discoloration or premature failure of T.V. and radio components.

Finishing: Mantels and Surrounds

Combustible mantels may safely be installed over the fireplace provided that they do not project beyond the shaded area shown in Figure 5:

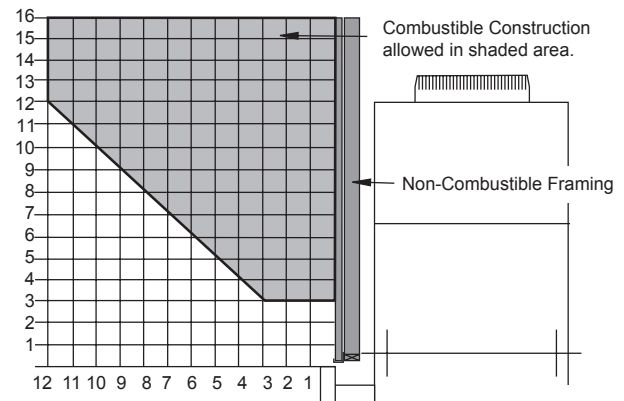


FIGURE 5: Combustible Mantel Clearances